

# Transport Medium & Swab

## Nasopharyngeal Swab & Oropharyngeal Swab

### ITM / VTM

- ▶ Inactivation Transport Medium
- ▶ Viral Transport Medium



JUNE 2020

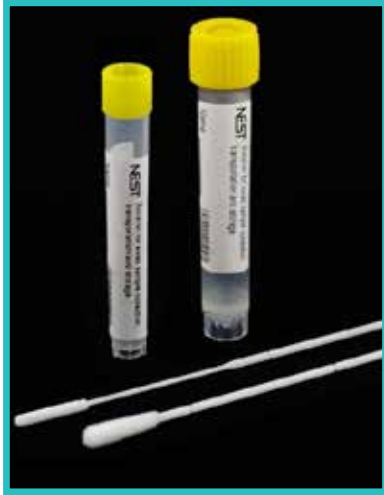
## ITM (Inactivation Transport Medium)



- ▶ ITM medium serves to both inactivate viruses and prevent nucleic acid degradation.
- ▶ Room temperature transport
- ▶ Samples can be stored at room temperature for 20 days.
- ▶ Used for collection, storage and transportation of viruses, chlamydiae, mycoplasma and ureaplasma.

Cat No.	Description	Pack size
202001	Oropharyngeal Swab with ITM vial, 5mL vials with 2ml ITM, Individually Wrapped Swabs, Sterile	50
202006	Oropharyngeal Swab with ITM vial, 10mL vials with 3mL ITM, Individually Wrapped Swabs, Sterile	100
202005	Nasopharyngeal Swab with ITM vial, 5mL vials with 2ml ITM, Individually Wrapped Swabs, Sterile	50
202007	Nasopharyngeal Swab with ITM vial, 10mL vials with 3mL ITM, Individually Wrapped Swabs, Sterile	100

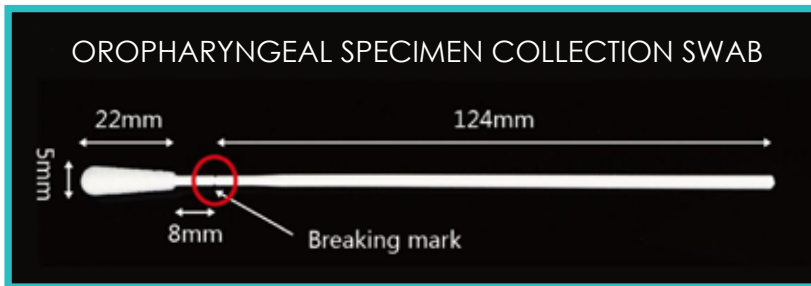
# VTM (Viral Transport Medium)



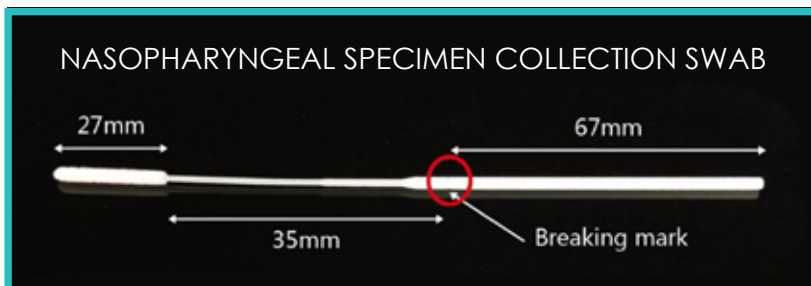
- ▶ Used for collection, storage and transportation of human nasopharyngeal virus samples.
- ▶ Unused VTM medium can be transported at room temperature.
- ▶ Sample transport temperature requirement & storage time: 2 to 4 C°, 48h.

Cat No.	Description	Pack size
202011	Oropharyngeal Swab with VTM vial, 5mL vials with 2,5mL VTM, Individually Wrapped Swabs, Sterile	50
202016	Oropharyngeal Swab with VTM vial, 10mL vials with 3mL VTM, Individually Wrapped Swabs, Sterile	100
202015	Nasopharyngeal Swab with VTM vial, 5mL vials with 2,5mL VTM, Individually Wrapped Swabs, Sterile	50
202017	Nasopharyngeal Swab with VTM vial, 10mL vials with 3mL VTM, Individually Wrapped Swabs, Sterile	100

## Nasopharyngeal Swab & Oropharyngeal Swab



- ▶ NEST nylon flocked Swabs provide optimum specimen collection because of their ability to collect more specimen at the collection site. This allows for rapid release of the entire sample specimen.



Cat No.	Description	Pack size
202003	Oropharyngeal Specimen Collection Swab, Individually Wrapped, Sterile	2 x 100
202004	Nasopharyngeal Specimen Collection Swab, Individually Wrapped, Sterile	2 x 100

## Disposable Sampler Tubes



- ▶ USP VI Polypropylene
- ▶ Non-pyrogenic, DNase/RNase and human DNA free
- ▶ Self-standing
- ▶ Temperature Range: Approx. -196°C to 121°C

Cat No.	Description	Pack size
624207	3 mL Sterile Disposable Sampler Tubes, Sterile Caps Separated, 1000 Tubes+1000 Caps/Cs	1000
608207	4 mL Sterile Disposable Sampler Tubes, Sterile Caps Separated, 1000 Tubes+1000 Caps/Cs	1000
619017	5 mL Sterile Disposable Sampler Tubes, Sterile Caps Separated, 1000 Tubes+1000 Caps/Cs	1000
625007	10 mL Sterile Disposable Sampler Tubes, Sterile Caps Separated, 1000 Tubes+1000 Caps/Cs	1000
624201	3 mL Sterile Disposable Sampler Tubes with Caps on	1000
608201	4 mL Sterile Disposable Sampler Tubes with Caps on	1000
619011	5 mL Sterile Disposable Sampler Tubes with Caps on	1000
625001	10 mL Sterile Disposable Sampler Tubes with Caps on	1000

# Product Instructions



Peel open the package



Remove the sterilised swab to collect samples



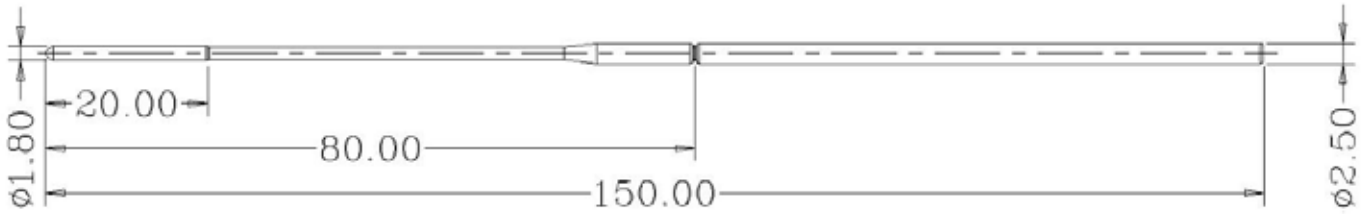
Insert the swab into transport medium and break the handle at breakpoint after sampling



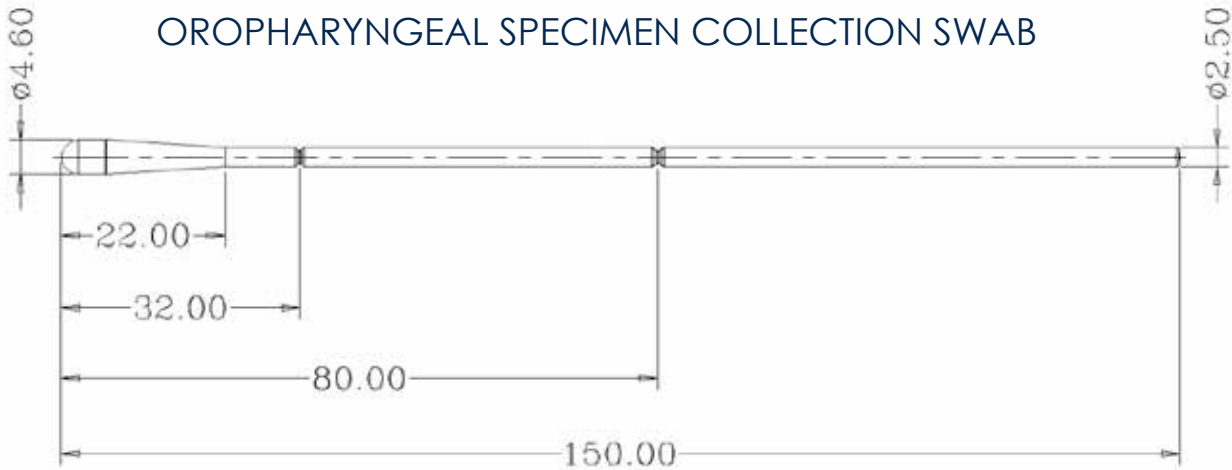
Tighten the cap to secure

## Technical Drawing

### NASOPHARYNGEAL SPECIMEN COLLECTION SWAB

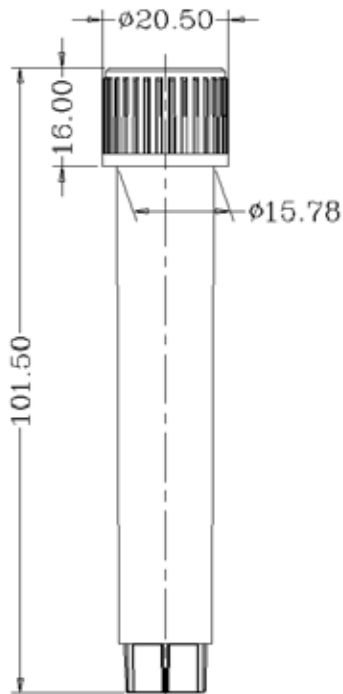


### OROPHARYNGEAL SPECIMEN COLLECTION SWAB

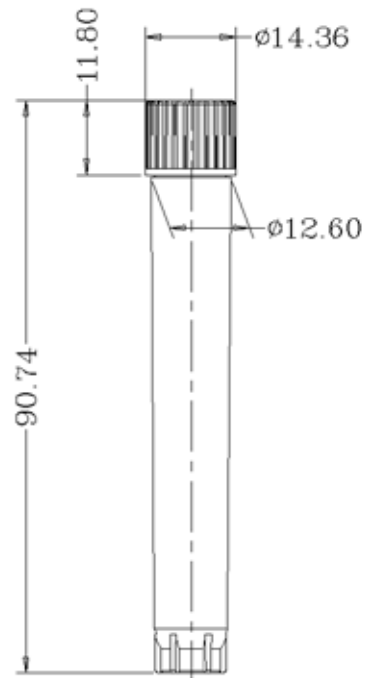


### ITM / VTM

10 ML VIAL

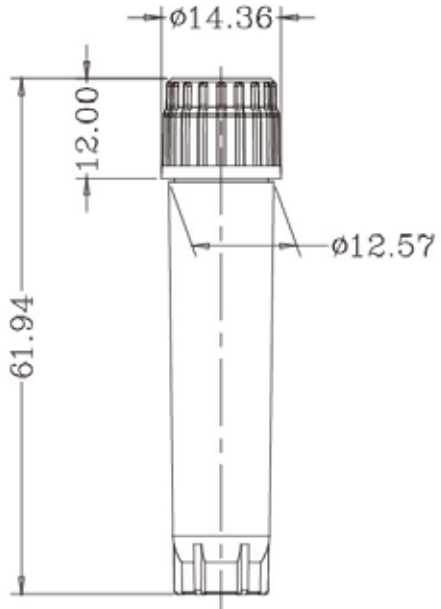


5 ML VIAL

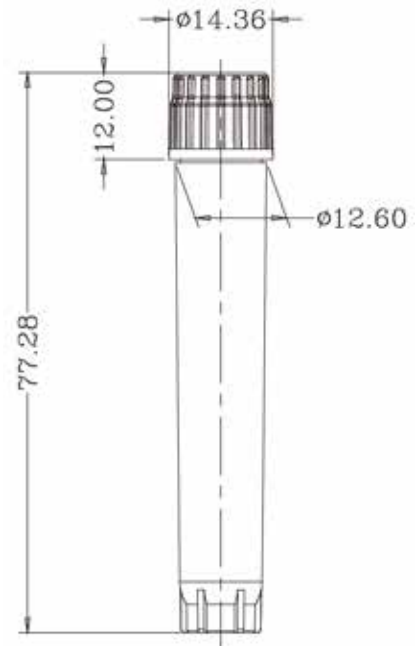


## DISPOSABLE SAMPLER TUBES

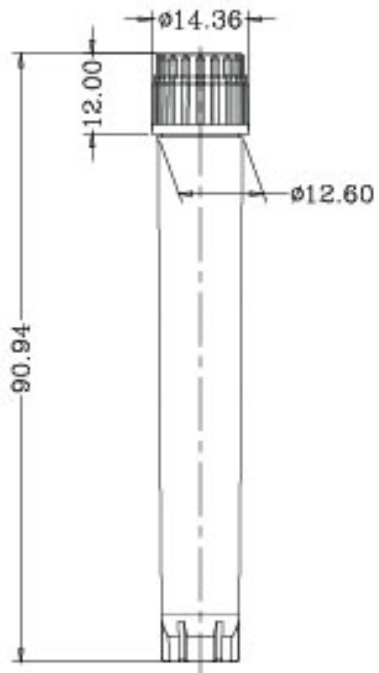
3 ML



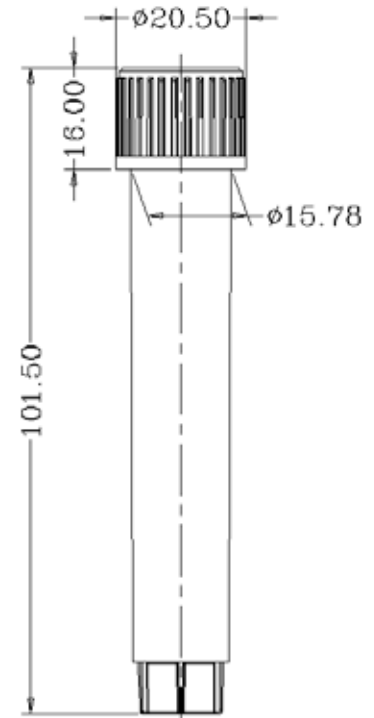
4 ML



5 ML



10 ML



# Contrastive Analysis of Culture Media

		ITM Medium	VTM Medium
Ingredient		Guanidine thiocyanate, DTT, etc.	HBSS, FBS, gentamycin sulfate, antifungal antibiotics, etc.
Applicable pathogenic microorganisms		Virus, bacterium, mycoplasma, chlamydia, urea plasma, etc.	Virus
Preservation capability after sampling		37°C, 20 days Both DNAs and RNAs can be well preserved	2-8°C, 48h
Transport conditions	Before sampling	Normal temperature	Normal temperature
	After sampling	Normal temperature	2-8°C
Usage after sampling		Nucleic acid detection	Nucleic acid detection, isolated culture
Functional characteristics		<ul style="list-style-type: none"> <li>Instantly inactivate viruses, bacteria, mycoplasmas, chlamydia and urea plasmas.</li> <li>Reduce the risk of pathogen spread due to medium leak (during transport, storage, use, etc.) or incomplete inactivation or other causes.</li> <li>More suitable for collection of potentially harmful pathogens and known pathogens of severe infectious diseases (such as 2019-nCoV, Ebola virus, etc.) and provides good protection for medical personnel.</li> </ul>	<ul style="list-style-type: none"> <li>Collection, nucleic acid detection and isolated culture of virus samples;</li> <li>antibacterial / antifungal antibiotics for sampling, virus preservation solution can be stored and transported at ambient temperature if unused;</li> <li>use pH indicator for real-time monitoring of pH stability of the preservation solution.</li> </ul>
Color		Colorless, clear	<ul style="list-style-type: none"> <li>Red, clear (with phenol sulfonphthalein)</li> <li>Colorless, clear (without phenol sulfonphthalein)</li> </ul>