



Microplate Vortex Mixers



The Ideal Solution for Dependable Vortex Mixing of Microplates

OHAUS Microplate Vortex Mixers are perfect for mixing microplates throughout the speed range. All models are designed for continuous-duty use in the lab. Digital models offer a timer and exact speed control for applications that demand repeatable results and non-digital variable speed models are an economical alternative. The high-speed and small orbit of these mixers make them optimal for effectively mixing microplates.

Standard Features:

- Safe to mix at high speeds - the innovative locking design of the microplate accessories allows these mixers to safely operate throughout the entire speed range.
- These mixers utilize a high quality German-manufactured motor allowing for reliable, continuous-duty operation at any speed.
- Robust digital and non-digital models offer effective speed control from low rpm for gentle shaking to high-speed mixing for vigorous vortexing of samples.

Microplate Vortex Mixers

Model	VXMPAL	VXMPDG
Control	Analog	Digital
Speed Range	On Mode, 300 rpm – 2500 rpm, Touch Mode, 300 rpm – 3500 rpm	
Orbit	3.5 mm	
Duty Rating	Continuous	
Capacity	2 microplates	
Working Environment	4 °C – 40 °C, 20% – 85% Relative humidity, non-condensing	
Power	230V, 0.13A, 50/60Hz	
Power Consumption	30 W	
Dimensions (W × L × H)	137 × 266 × 114 mm	
Net Weight	5.3 kg	

Other Standard Features and Equipment

Detachable 3-wire cord and plug (included), single microplate adapter and cup head (included)

Compliance

- **Product Safety:** EN 61010-1, EN 61010-2-051
- **Electromagnetic Compatibility:** EN 61326-1 Class A, Industrial Environments
- **Compliance Marks:** CE; RCM; UKCA; TÜV SÜD

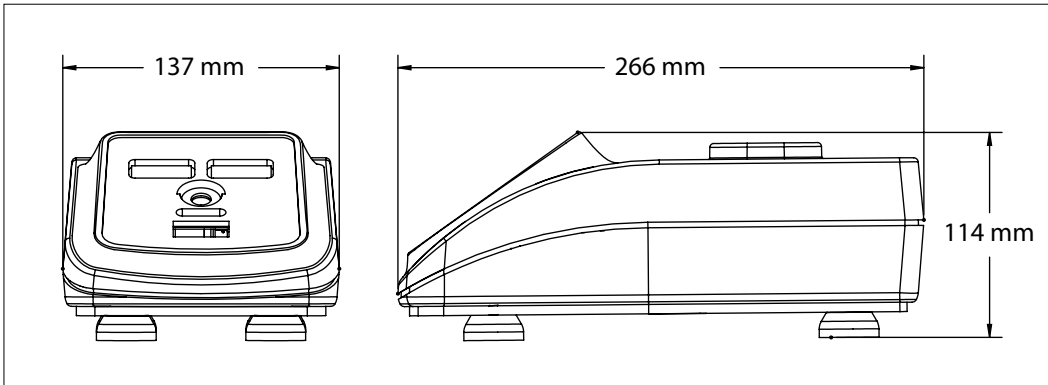
Accessories

Cup Head, VXHD and VXMP Vortex Mixers30400210

Double Microplate Holder30400213

Single Microplate Holder30400215

Dimensions



OHAUS Europe GmbH

Heuwinkelstrasse 3,
8606 Nänikon,
Switzerland

e-mail: ssc@ohaus.com
Tel: 0041 22 567 53 19
e-mail: tsc@ohaus.com
Tel: 0041 22 567 53 20

www.ohaus.com

The management system governing the manufacture of this product is ISO 9001:2015 certified.

